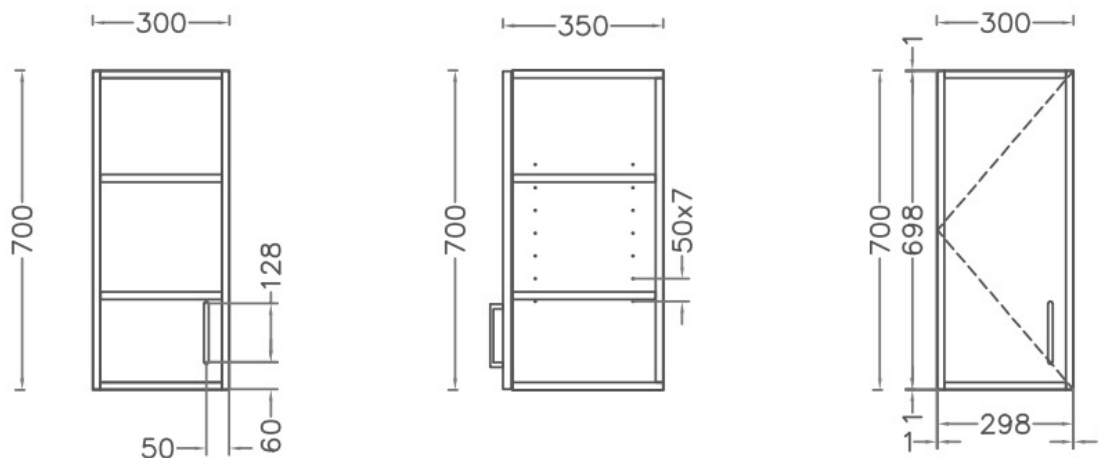


30cm Wall Cabinet – Quality Series



Code: QWU30

- Bright white high-gloss finish (interior & exterior)
- 18mm HMR MDF drawers (high moisture resistant)
- Premium 2-pack epoxy painted doors
- Hand-polished glossy surface
- 16mm HMR particleboard carcass
- Durable PET-laminated cabinetry
- Two adjustable internal shelves
- Quality quick-release DTC hinges
- Reversible design for left/right-hand hinging
- Drill bit & template provided for handles
- Pre-assembled for easy DIY installation
- Eco-friendly packaging



Choose your handle option



All dimensions stated are nominal sizes. Variations may occur during manufacturing, and care should be taken to check sizing before installation as measurements/drawing specifications are a guide only and subject to change without notice.