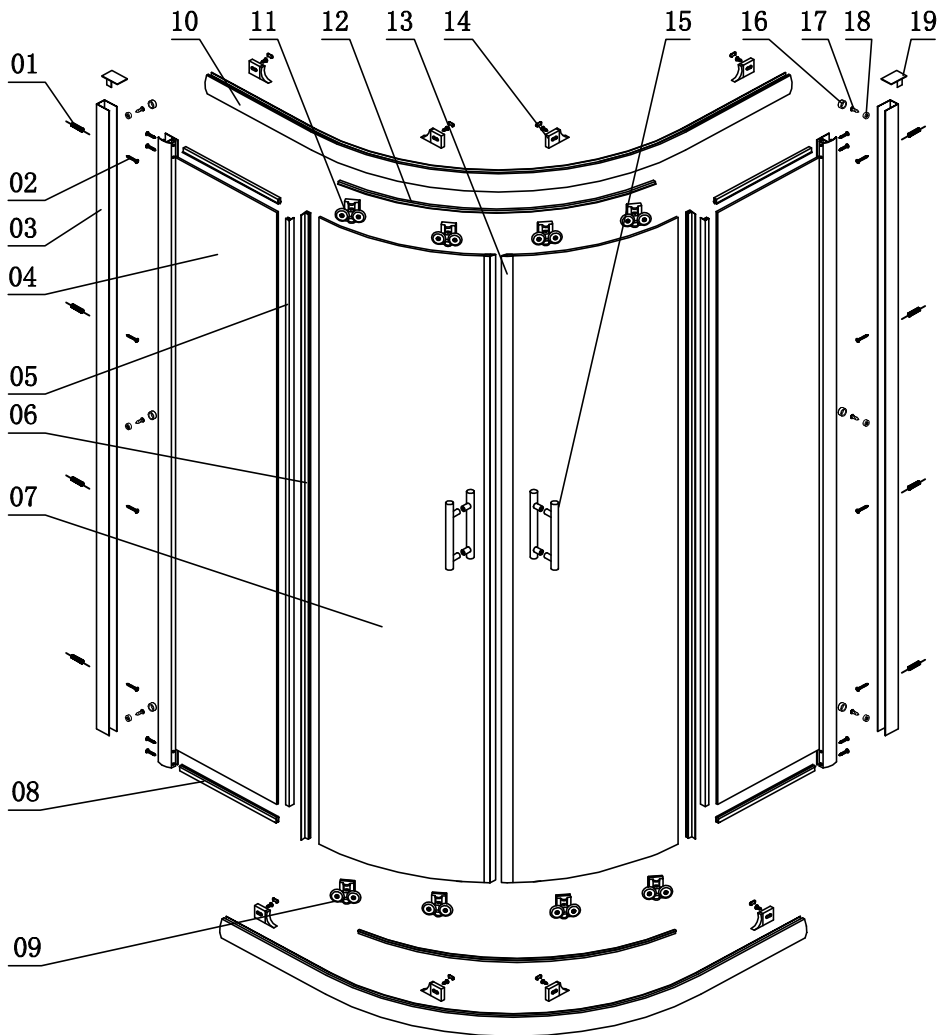
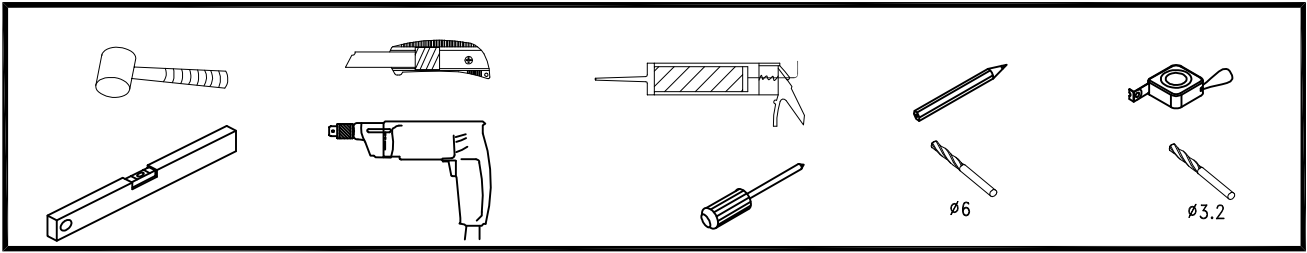
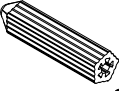

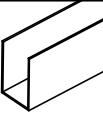
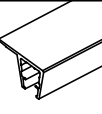
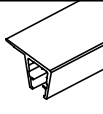
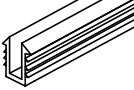
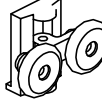
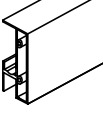
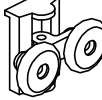
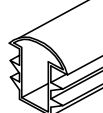

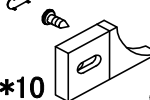
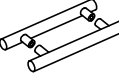



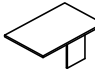


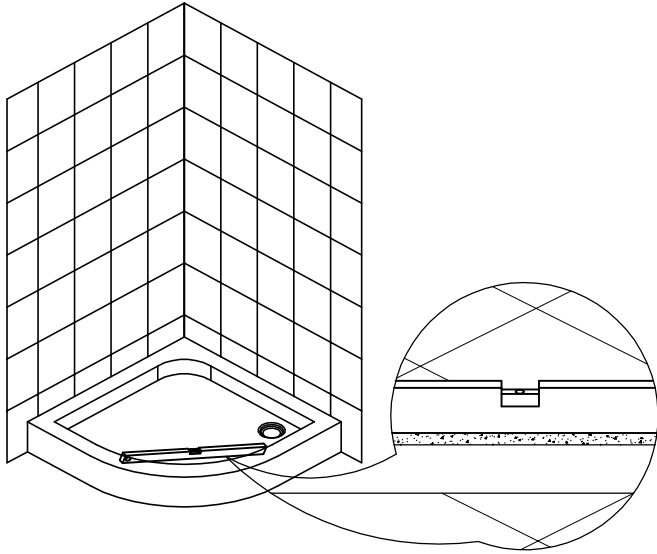
RF2A42-2 (6mm)



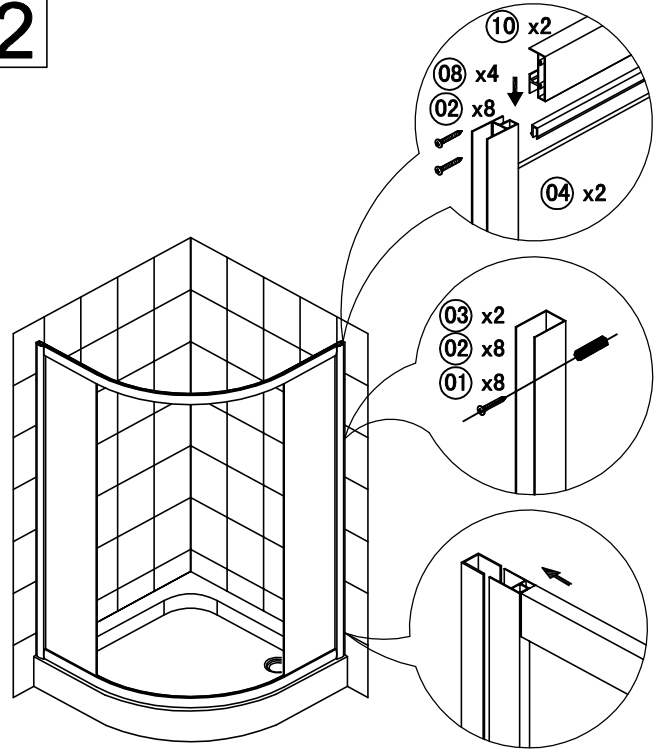
Parts List

 01 8PCS	 02 ST4*30 16PCS	 03 2PCS	 05 2PCS	 06 2PCS
 08 4PCS	 09 4PCS	 10 2PCS	 11 4PCS	 12 2PCS
 13 2PCS	 14 ST4*10 8PCS	 15 2PCS	 16 6PCS	 17 ST4*10 6PCS
 18 6PCS	 19 2PCS			

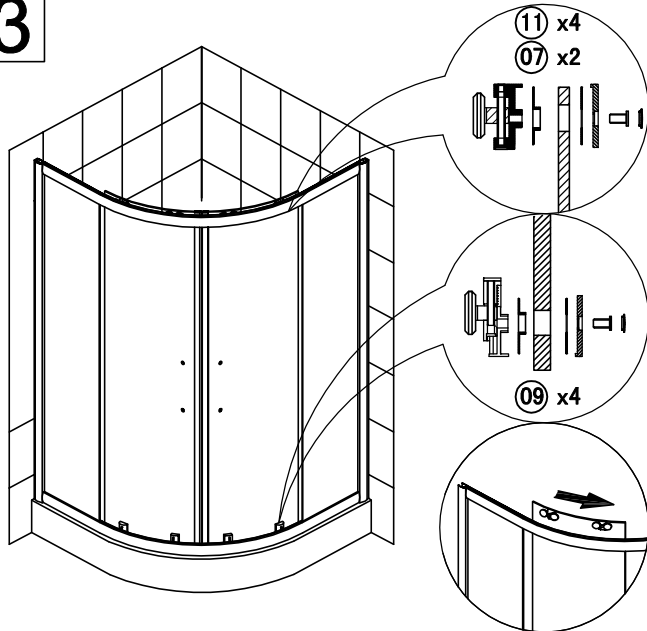
1



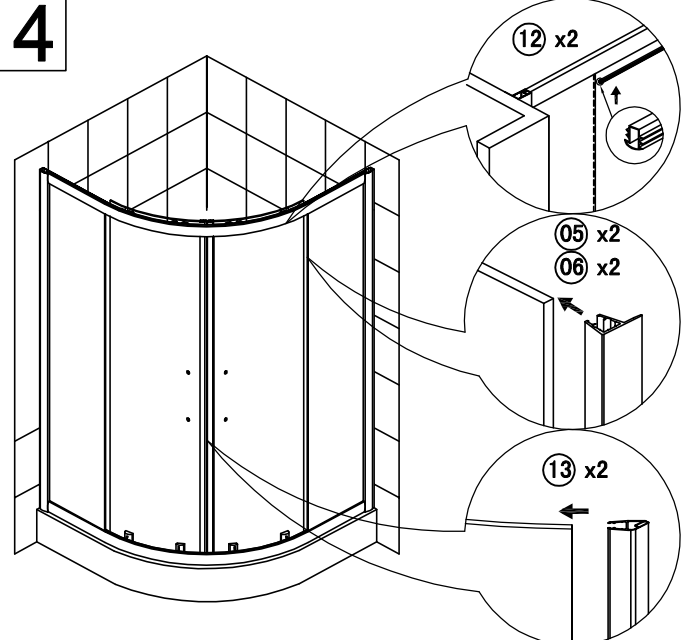
2



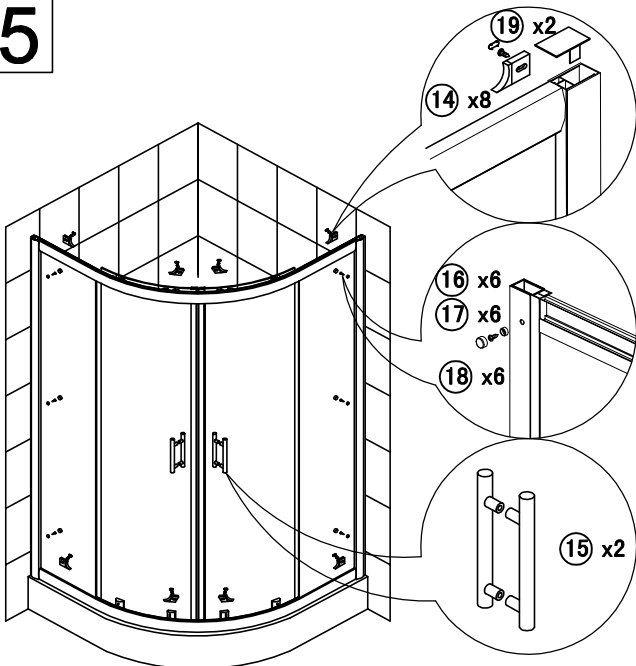
3



4



5



6

