

Toilet Suite

Product Code: TSCURVE

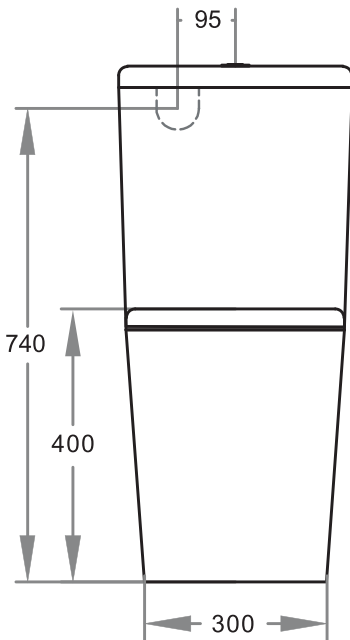
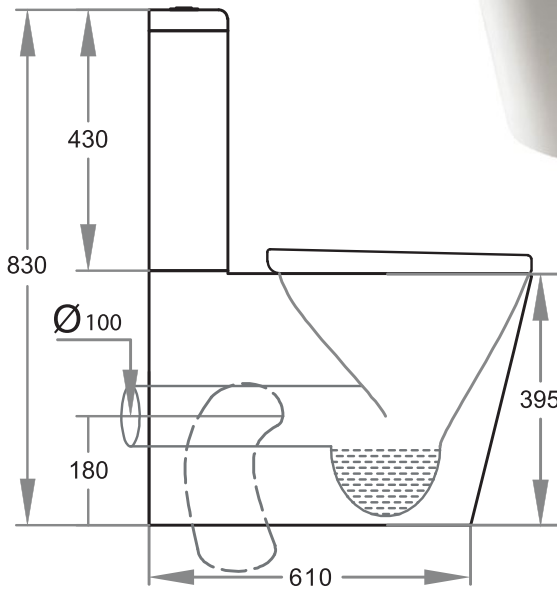
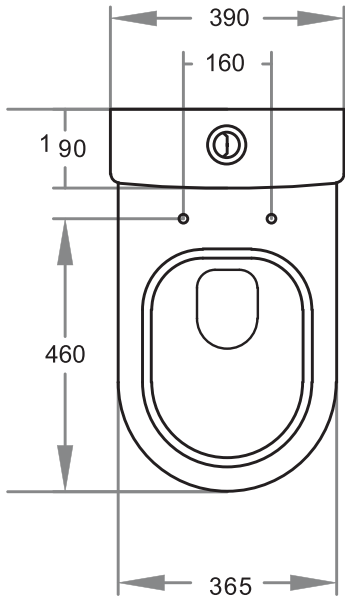


Proudly 100%
WEST AUSTRALIAN
OWNED & OPERATED

SPECIFICATIONS:

- S-Trap set out 60-160 with PWG001 (out of the box)
- S-Trap set out 100-215mm with PWG002
- S-Trap set out 150-225mm with JT43
- P-Trap 180mm

WELS 4 Star rated: 3.2L Water Consumption
WELS Registration: L01635
Model Code: KDK002



PWG001 :60-160 *(Out of the box)*

PWG002 :100-215

JT43 : 150-255

The more stars the more water efficient

WATER RATING
www.waterefficiency.gov.au

4 3.2L Water Consumption