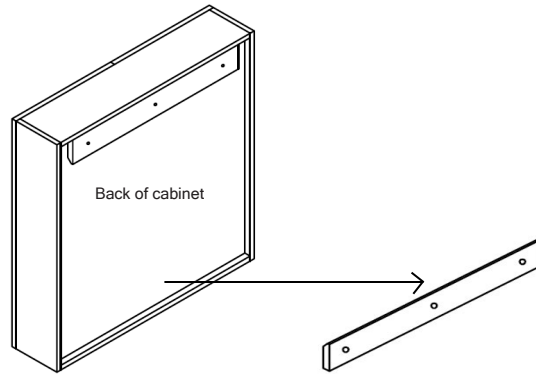


Shaving Cabinet French Cleat Wall Hanging System

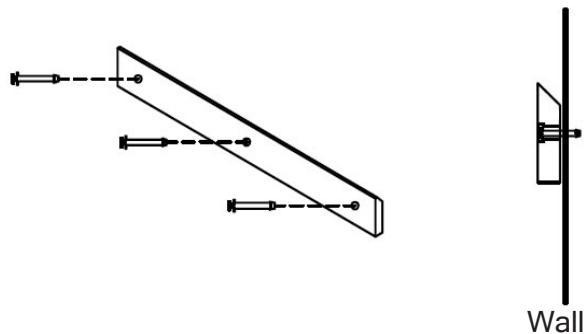


Step 1: Remove the wall mount cleat from the bottom of the cabinet



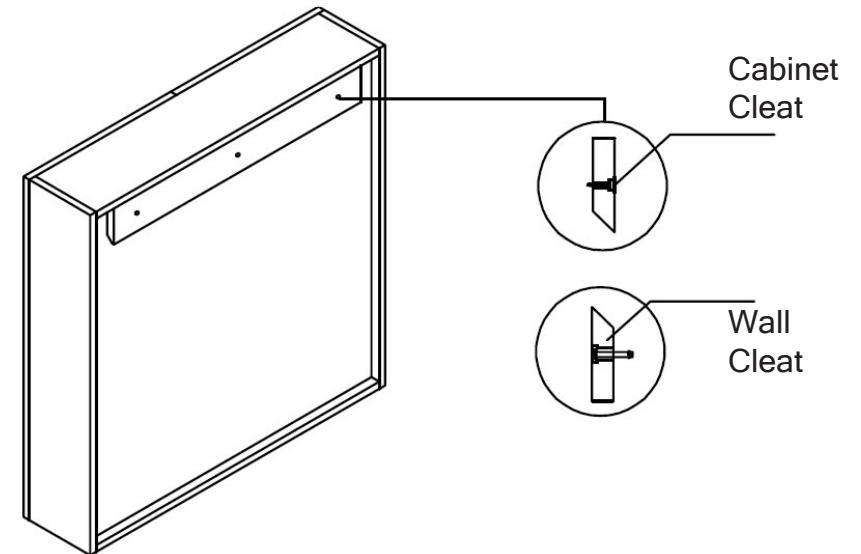
the bottom cleat is held to the cabinet with a few staples for transportation

Step 2: Mount the removed cleat to the wall surface



Fixings (required) will depend on the walls construction

Step 3: The cabinet can now be lifted up and mounted to the wall cleat.



The two 45 degree cleat brackets will lock in together