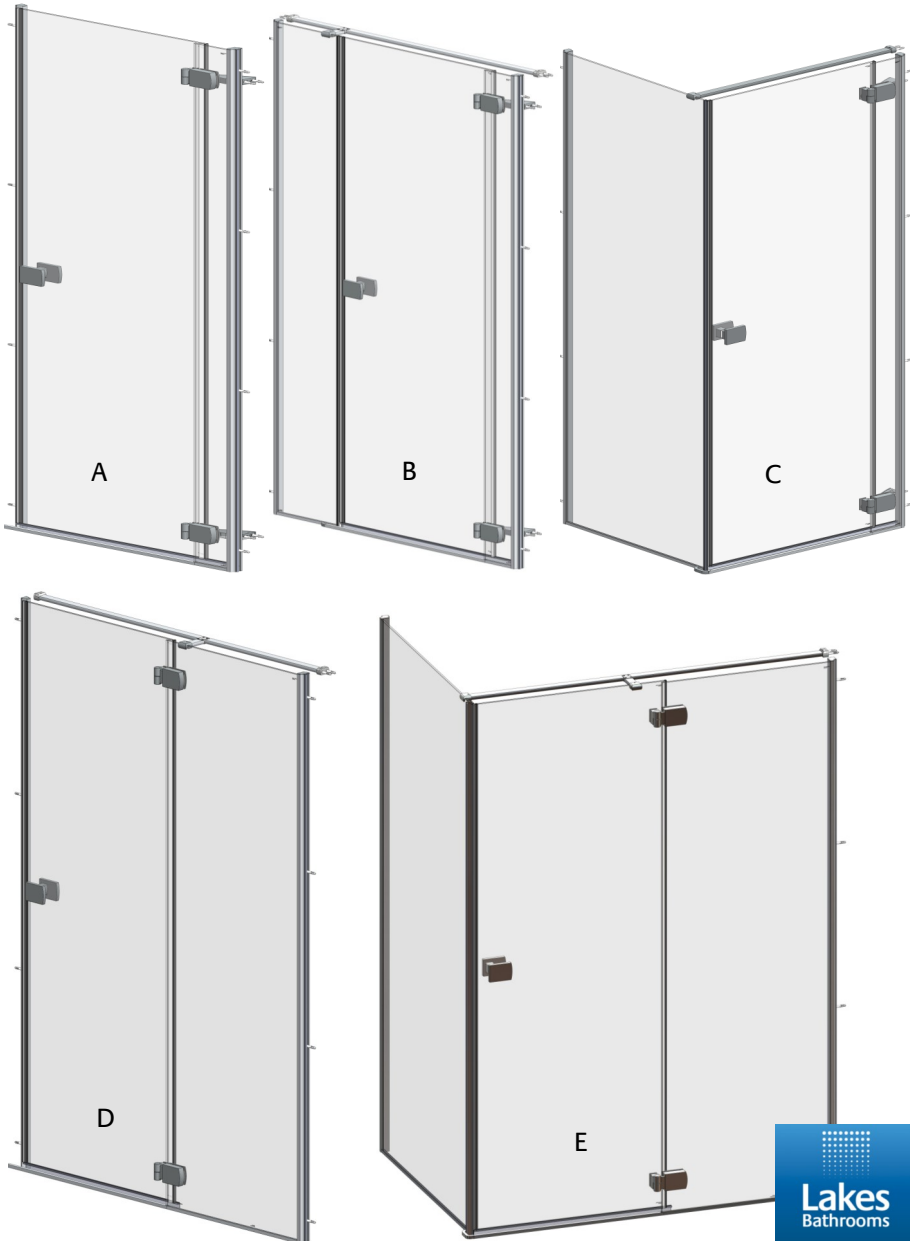


# 8mm Hinge Door Range.

## Installation / Maintenance Instructions

Rev 06.17



## **IMPORTANT NOTES :**

### **Please read carefully & retain these instructions for future reference.**

1. For ease & safety we advise that two persons assemble this product.
2. Protect shower tray surfaces at all times.
3. Exposed glass corners / edges MUST NOT contact hard surfaces at any time.
4. Check for cables, pipes etc before drilling walls.
5. Ensure all surfaces are dry, clean & free of loose debris / dust.
6. Unpack goods with care (small parts can become lodged in packaging & inadvertently discarded).  
Check parts supplied against parts & fittings listed herein.  
Damaged parts / omissions may be resolved by calling Lakes Bathrooms Helpline.
7. Whilst precautions are taken in manufacture, care must be taken when handling as rail ends may have sharp edges.
8. Before commencing, check :
  - a) shower tray (if used) is level & completely sealed to finished / tiled walls, &
  - b) finished walls are sound & free of cracks, loose tiles / grout.
9. AFTER INSTALLATION, DO NOT 'WET' ENCLOSURE FOR 48 HOURS TO ENSURE FULL CURE OF SILICONE SEALANT.

## **USE :**

### **General Care & Maintenance.**

Provided this product is installed & operated in accordance with these instructions, problems should not arise. However should maintenance be required it should be carried out by a competent person with reference to these instructions. Before any work is carried out the root cause of the problem must be identified. Lakes Bathrooms service engineers are available if necessary to consult / carry out remedial work. Call Lakes Bathrooms HELPLINE.

**Cleaning.** (Every one to two weeks depending on local water {hardness} conditions).

All glass panels in this product have a hydrophobic coating aiding 'runoff' of water droplets, reducing the need for frequent cleaning. For best appearance / product life however, regular cleaning is recommended.

Use ONLY mild soap / detergent solutions to clean. Rinse with water, squeegee glass panels & wipe frames dry with a soft cloth. Under no circumstances should abrasive, caustic or scouring products be used. Non compliance with these cleaning instructions may cause decorative finishes to deteriorate & could adversely affect safe operation of the enclosure.

### **Daily Care.**

To prevent the build up of limescale, do not allow water droplets to dry on glass or frames. After showering, rinse with water, remove droplets from glass with a squeegee & wipe frame with a soft cloth.

### **Customer Service.**


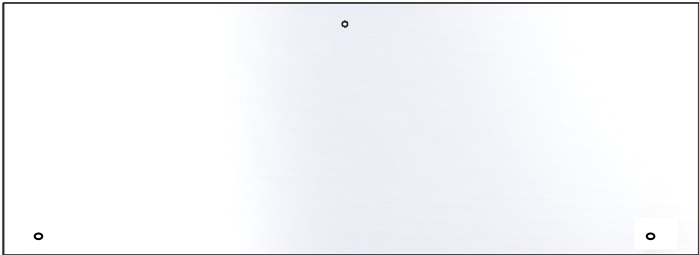
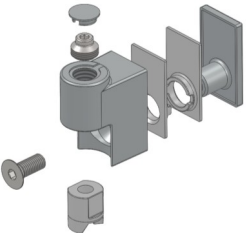
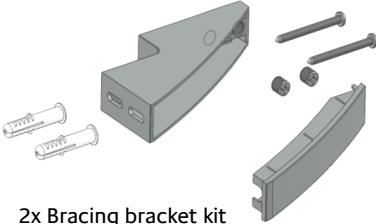
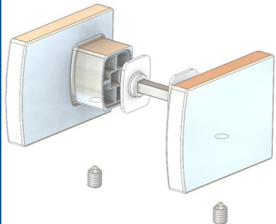

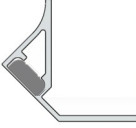






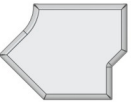

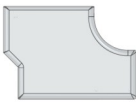



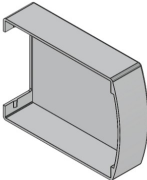

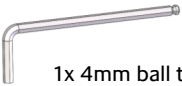
**Quality Guarantee :** Lakes Bathrooms Ltd guarantee Shower Doors & Enclosures against any manufacturing or material defects for the lifetime of the product. We will resolve defects free of charge by repairing / replacing parts as we feel necessary. To be 'free of charge' service work must be carried out by Lakes Bathrooms or approved agents. Seals are considered 'wear & tear' parts, as such, they are guaranteed for 12 months from purchase.

**Not Covered by this Guarantee :** Damage or defects that result from improper installation, improper use, or lack of maintenance (including limescale buildup). Damage or defects that result from repairs / modifications undertaken by unauthorized persons. This guarantee is in addition to statutory & other legal rights.

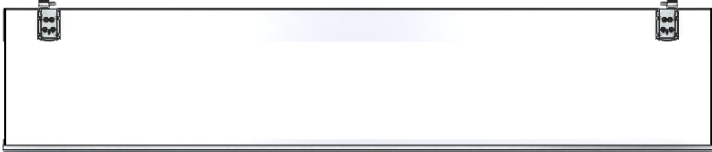
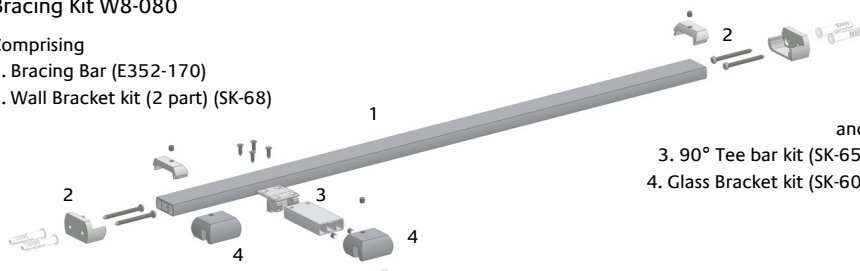
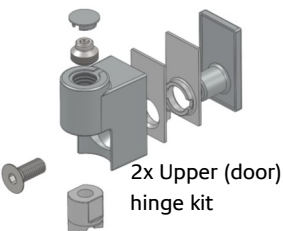
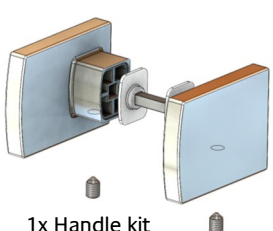
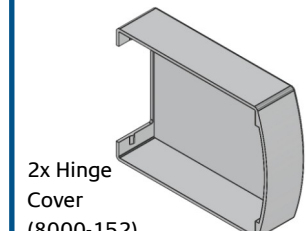
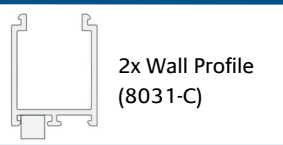
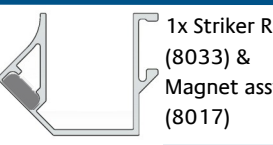
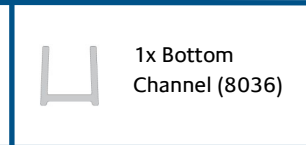
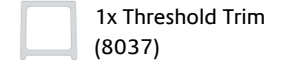
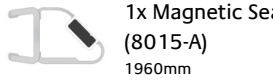
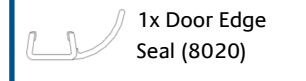
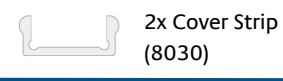
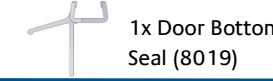


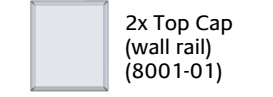




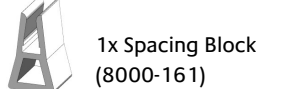

**What to do if something goes wrong :** Should the product not function correctly on initial use, firstly, contact the installer to check that unit installation & commissioning are in accordance with these instructions. Should this not resolve difficulties or should performance decline, consult 'Troubleshooting' section to see if simple home maintenance is needed. Alternatively our HELPLINE staff can assist, or if necessary arrange for a service engineer to visit.

**Spares :** We maintain extensive spare part stocks. Spares can be ordered / purchased from your retailer in the first instance. Parts will normally be dispatched within two working days from order placement.

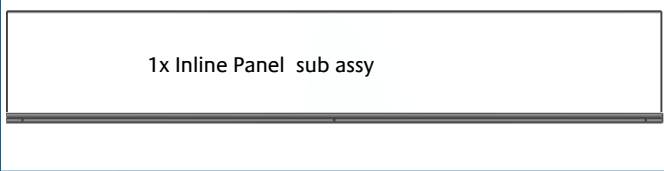
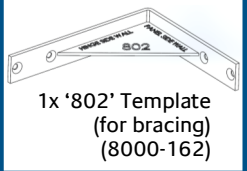

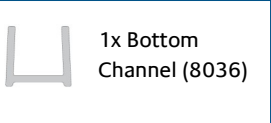
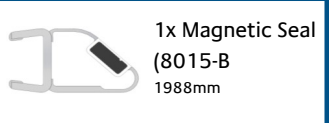
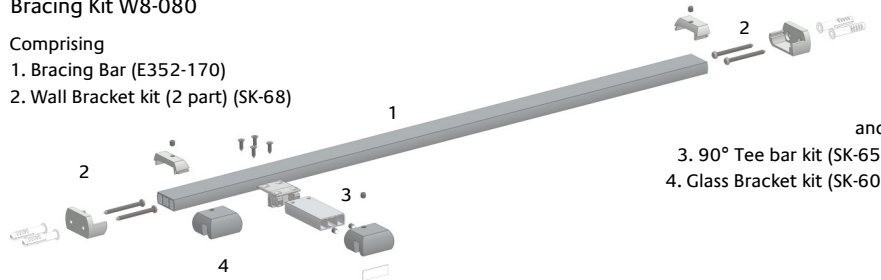
Supplied parts: 801\*\* Hinge Door—Model A (B & C).

		1x Hinge Panel sub assy	
			1x door glass
			
			
			
			
			
			
			

Supplied parts: 803\*\* Hinge Door (less door glass) - Model D / E.

		<p>1x Hinge Panel sub assy</p>
<p><b>Bracing Kit W8-080</b></p> <p>Comprising</p> <p>1. Bracing Bar (E352-170)</p> <p>2. Wall Bracket kit (2 part) (SK-68)</p> <p>and</p> <p>3. 90° Tee bar kit (SK-65)</p> <p>4. Glass Bracket kit (SK-60)</p>		
		
 <p>2x Upper (door) hinge kit</p>	 <p>1x Handle kit</p>	 <p>2x Hinge Cover (8000-152)</p>
 <p>2x Wall Profile (8031-C)</p>	 <p>1x Striker Rail (8033) &amp; Magnet assy (8017)</p>	 <p>1x Bottom Channel (8036)</p>
 <p>1x Threshold Trim (8037)</p>	 <p>1x Magnetic Seal (8015-A) 1960mm</p>	 <p>1x Door Edge Seal (8020)</p>
 <p>2x Cover Strip (8030)</p>	 <p>1x Door Bottom Seal (8019)</p>	 <p>1x '803' Template (for bracing) (8000-163)</p>
 <p>2x Top Cap (striker rail) handed pair (8000-05 &amp; 06)</p>	 <p>2x Top Cap (wall rail) (8001-01)</p>	 <p>2x Top Cap (fixed panel) handed pair (8000-03 &amp; 04)</p>
 <p>8x M4 x 45mm Screw (F017)</p>	 <p>8x Wall Plug (F013)</p>	 <p>6x M3.5 x 10mm Screw (F003)</p>
 <p>1x Spacing Block (8000-161)</p>	 <p>1x 4mm ball type hexagon (Allen) key (retain for future hinge adjustment)</p>	



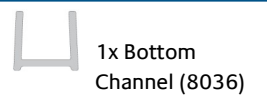
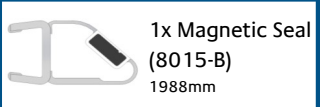
Supplied parts: 802\*\* Inline Panel—Model B.

 <p>1x Inline Panel sub assy</p>	 <p>1x '802' Template (for bracing) (8000-162)</p>	
 <p>2x Threshold End Trim handed pair (8000-20 &amp; 21)</p>	 <p>1x Bottom Channel (8036)</p>	 <p>1x Magnetic Seal (8015-B) 1988mm</p>
<p>Bracing Kit W8-080</p> <p>Comprising</p> <ol style="list-style-type: none"> <li>1. Bracing Bar (E352-170)</li> <li>2. Wall Bracket kit (2 part) (SK-68)</li> </ol>  <p>and</p> <ol style="list-style-type: none"> <li>3. 90° Tee bar kit (SK-65)</li> <li>4. Glass Bracket kit (SK-60)</li> </ol>		

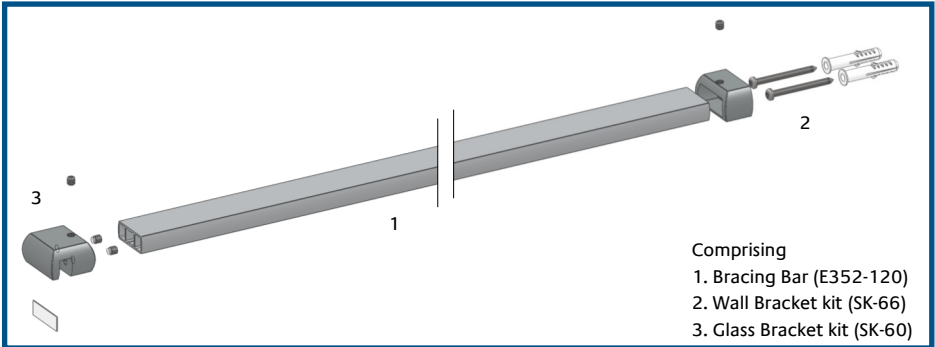
Supplied part: 804\*\* Door glass only—Model D (& E).

	<p>1x door glass</p>
------------------------------------------------------------------------------------	----------------------

Supplied parts: 805\*\* Side Panel—Model C & E.

	<p>1x Side Panel sub assy</p>	
 <p>2x Threshold Corner Trim handed pair (8000-23 &amp; 24)</p>	 <p>1x Bottom Channel (8036)</p>	 <p>1x Magnetic Seal (8015-B) 1988mm</p>

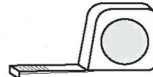
## Supplied parts: W8-052 Bracing Bar kit—side panel type - Model C.



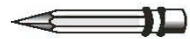
### Tools required:



Spirit Level (with vertical 'bubble')



Tape Measure



Pencil



Power drill & 8mm masonry bit



3mm HSS drill bit



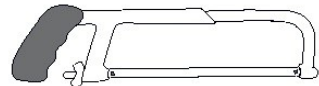
Pozidriv Screwdriver



2.5 & 5mm Hexagon (Allen) Key



Good quality silicone sealant & applicator



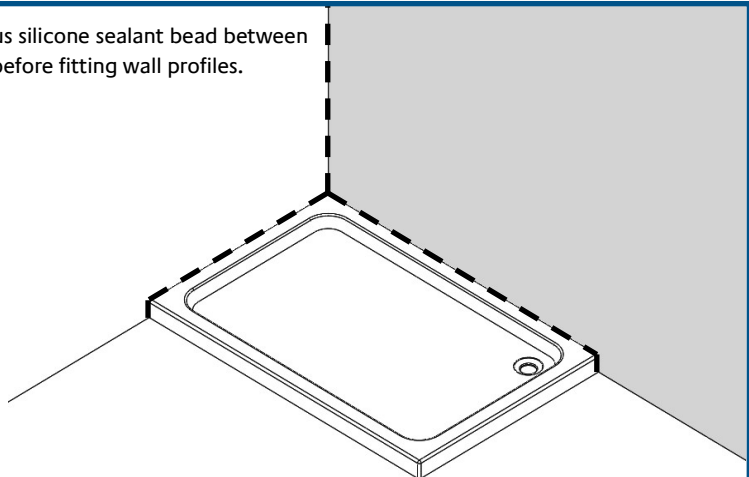
Hacksaw (or suitable metal cutting 'chop saw')



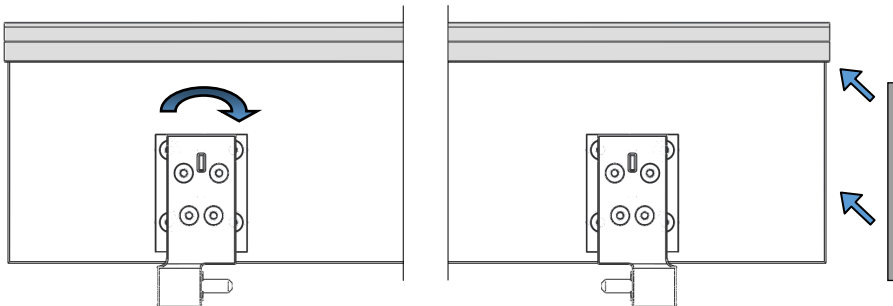
Sharp knife

### Setting out:

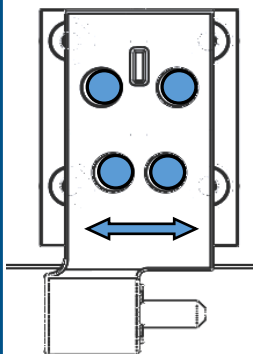
Ensure continuous silicone sealant bead between tray & ALL walls before fitting wall profiles.



## Hinge Panel setup:

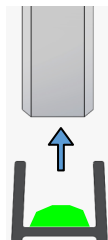


Hinge panel sub assy's are supplied with hinge pins facing one another. Before use, offer panel to hinge side wall, reverse the top hinge, & fit bottom channel:



Undo / remove the 4 clamp screws indicated, flip the hinge bracket over, fit & re tighten the clamp screws (on completion, both pins will be upright).

Apply continuous bead of clear silicone to inside of bottom channel, then carefully push bottom trim upto vertical profile & then onto glass bottom edge. A mallet, or hammer & wood block may be used. Take care to avoid bending the trim !



Side & Inline panel bottom channels (if being used) are fitted in the same way.

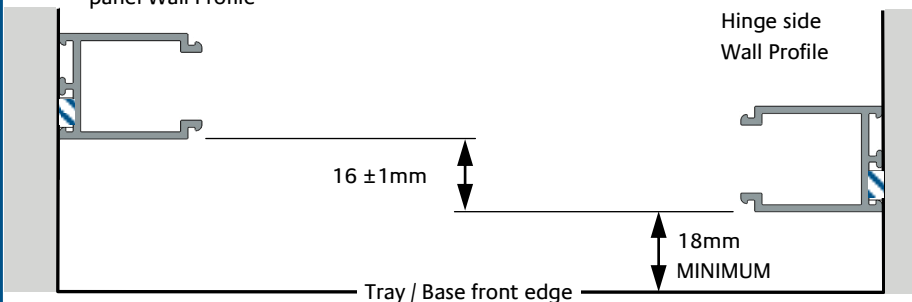
## Wall Profile Positioning:

To ensure unit stands on tray correctly, wall profiles **MUST BE POSITIONED AS SPECIFIED**, with foam seal toward the front (outside) of the tray or base.

Between wall applications (striker & inline panel types):

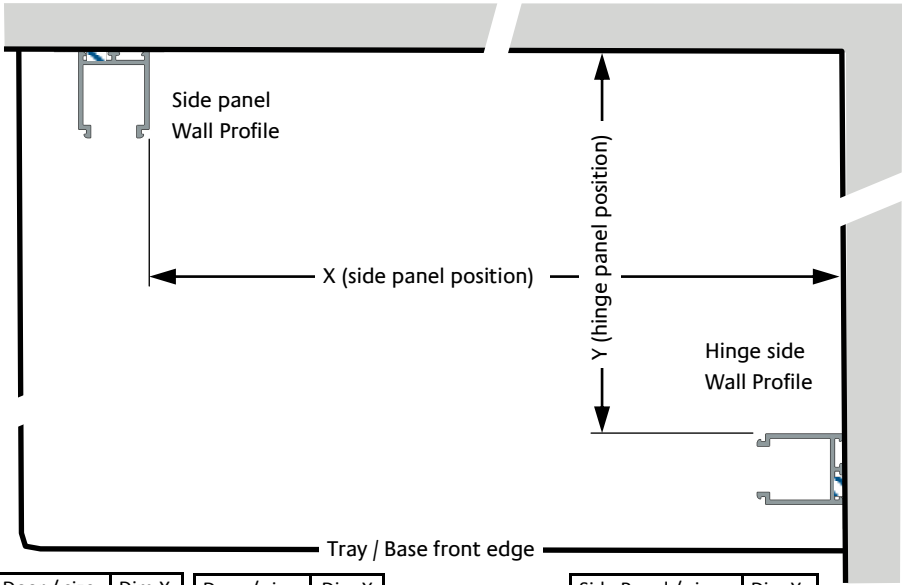
Striker / inline  
panel Wall Profile

Hinge side  
Wall Profile



### Side panel applications:

Where side panel is used, wall profile dimensions set the unit on mid adjustment position.  
All measurements are to the INSIDE face of the wall profile.

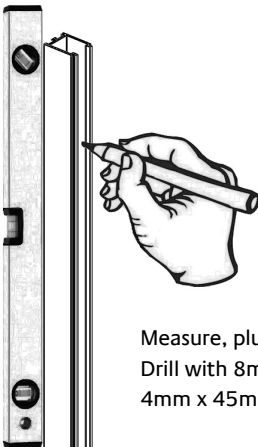


Door / size	Dim X
801-075	693
801-080	733
801-090	833
801-100	933

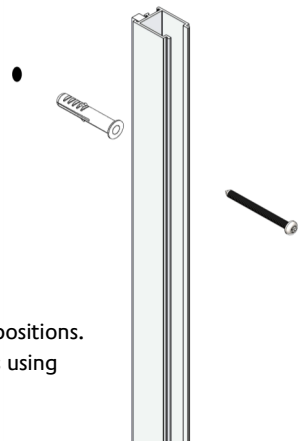
Door / size	Dim X
803-120	1133
803-140	1333
803-160	1533

Side Panel / size	Dim Y
805-070	649
805-075	709
805-080	749
805-090	849
805-100	949

### Wall Profile Mounting:

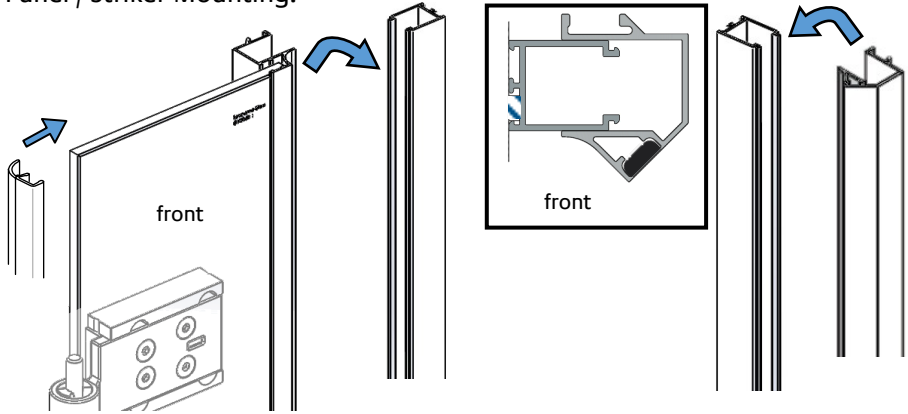


Measure, plumb wall profile & mark screw positions.  
Drill with 8mm bit, plug & affix wall profiles using  
4mm x 45mm screws.





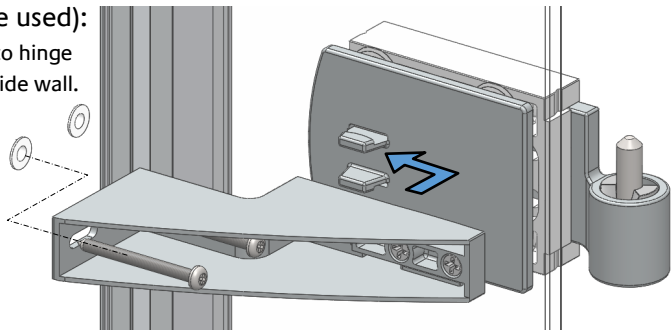
### Panel / Striker Mounting:



Lift panel(s) / striker onto their wall profiles, push fully back to wall & down onto tray / base.  
Panels are fitted glass / hinges to front (outside), striker with magnet to front.  
Align edge seal to top of glass & fit seal to edge of hinge panel (lip to inside).

### Wall Bracket (where used):

Engage wall bracket onto hinge backplate & push upto side wall.  
Level & mark wall hole positions (centre of oval holes).



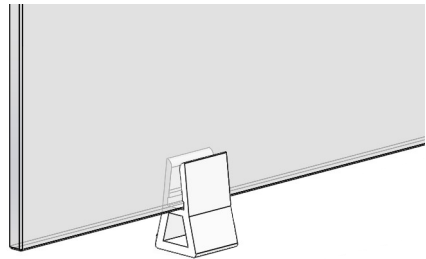
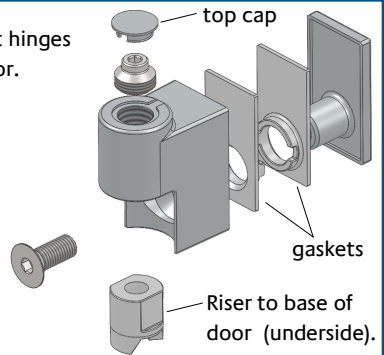
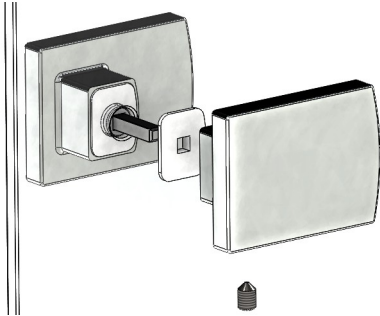
Remove bracket, drill & fit wall plugs. Refit bracket & ensuring that hinge panel is parallel to tray/base front edge, tighten bracket to wall ONLY at this stage.

### Door setup: (RH door shown—reverse for LH).



Ensure one gasket to each face of glass, fit hinges with white plastic riser toward base of door.  
Do NOT fit top cap at this stage.

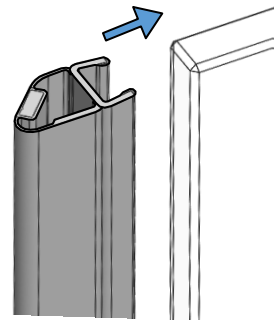
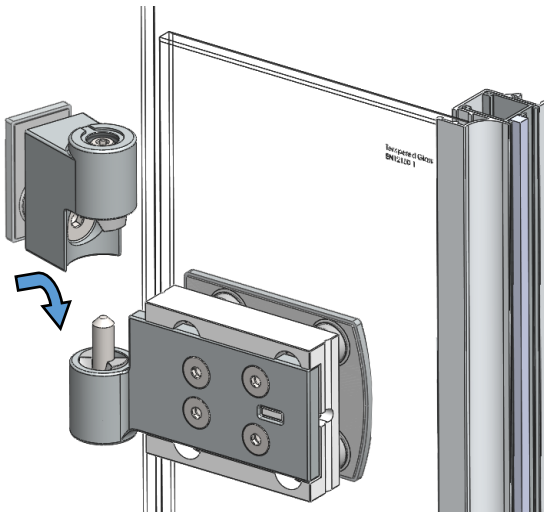
Align & fit square connecting bar into 1st handle & fully tighten grub screw. Fit gasket & pass square bar through glass, fit 2nd gasket handle. Press handles together, then fully tighten 2nd grub screw to clamp handles to glass.



Fit spacer block to bottom of door glass toward the OUTER CORNER.

**DOOR FITTING, 2 PERSONS REQUIRED !**

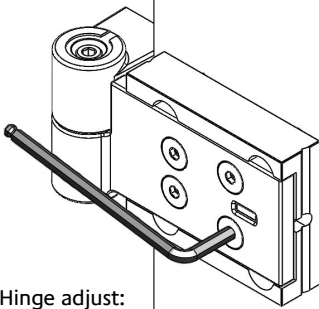
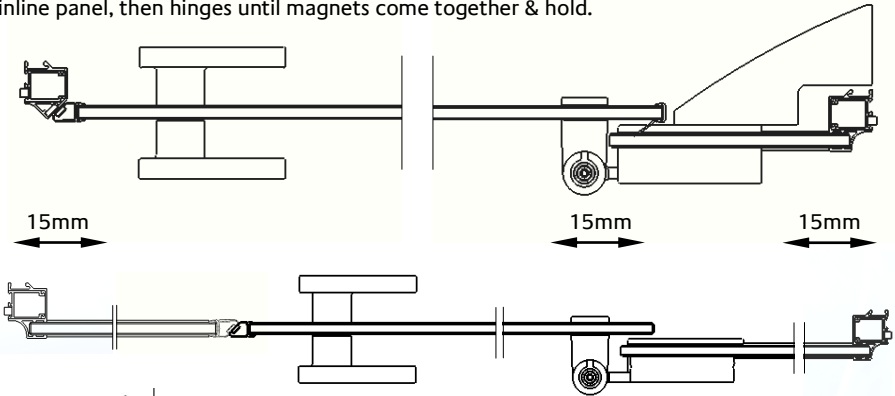
With door approx 60-90° open, carefully lift door, align both hinges & lower door onto hinge panel. AFTER ASSEMBLY, DOOR WEIGHT MUST BE SUPPORTED AT ALL TIMES UNTIL HINGE PANEL IS SCREWED TO WALL PROFILE !



**Magnetic Seals :**  
Align seal end with top of glass, press fit onto door or panel edge.

Adjustment provided : Each wall profile = 15mm, Hinge = 15mm.

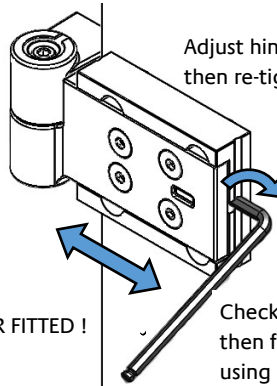
With door on support block, in closed position, manoeuvre / adjust hinge panel, striker / inline panel, then hinges until magnets come together & hold.



Hinge adjust:

Loosen 4 clamp screws ONE TURN ONLY.

NEVER REMOVE THESE SCREWS WITH DOOR FITTED !



Adjust hinges as necessary,  
then re-tighten clamp screws

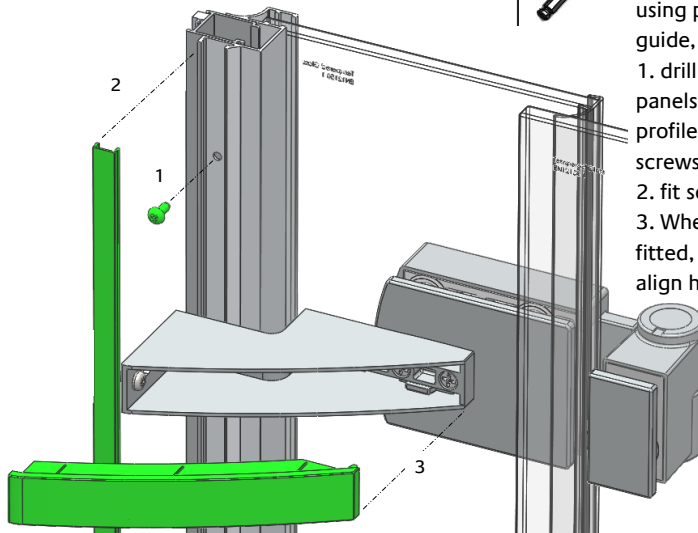
Check all panels are plumb,  
then from inside enclosure,  
using profile holes as a  
guide,

1. drill dia 3mm holes, affix  
panels / striker to wall  
profiles with 3.5 x 10mm  
screws.

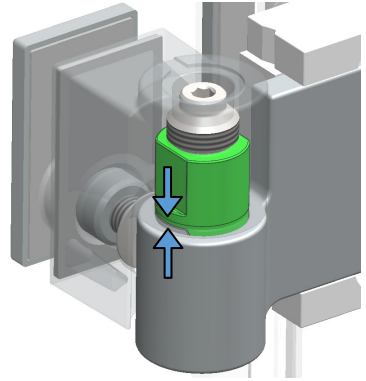
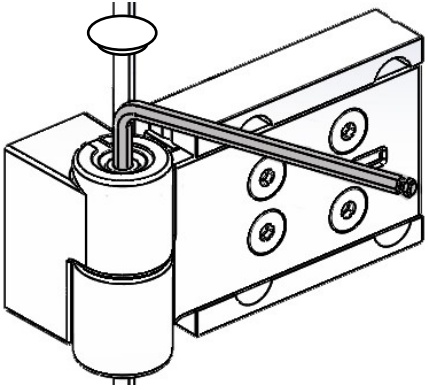
2. fit screw cover sections.

3. Where wall bracket is  
fitted, use grubscrews to  
align hinge panel parallel

to tray front. After  
adjusting, tighten  
all grubscrews onto  
hinge backplates.



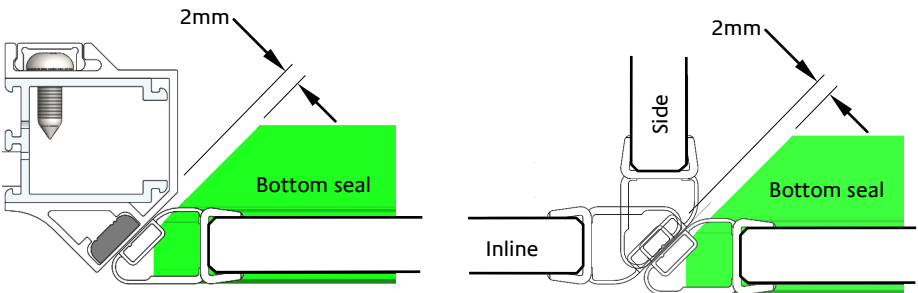
Support block may now be removed. Open / close the door & re adjust hinges to fine tune the door magnets. Visually check both hinges for riser clearance, if one shows clearance, turn its take up screw until white plastic castellated faces are in full contact when the door is closed.



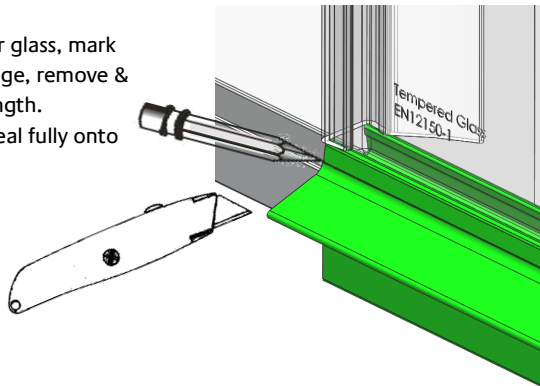
After adjusting 'take up' fit top caps to door hinges.

### Bottom seal & threshold:

As supplied, the bottom seal is over-length & requires cutting. With drip lip to inside, offer the seal 2mm from the striker profile / inline or side panel magnet (45° faces 2mm apart).

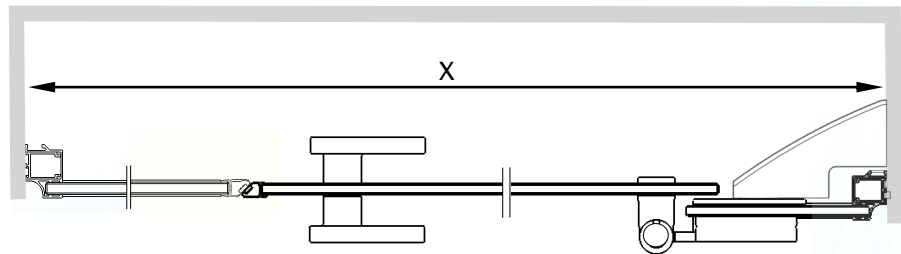
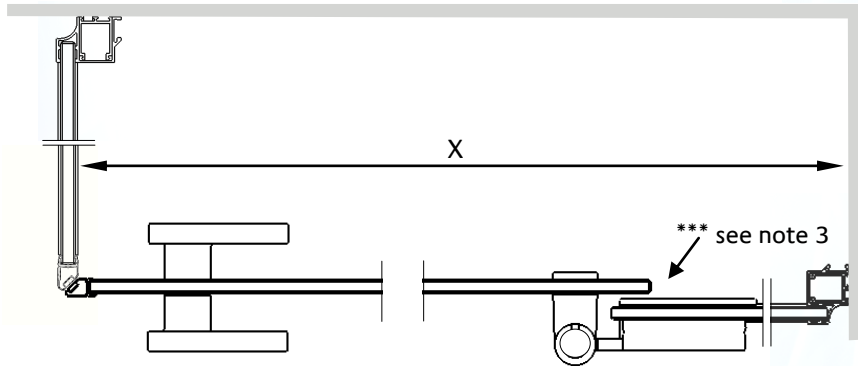
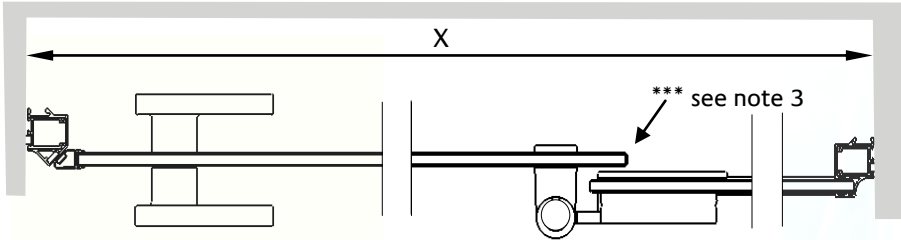


At the hinge side of door glass, mark the seal flush to glass edge, remove & neatly cut the seal to length. Re-position & press fit seal fully onto door bottom edge.

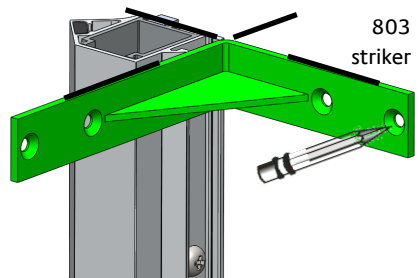
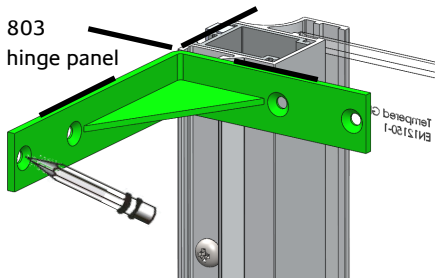


## Bracing:

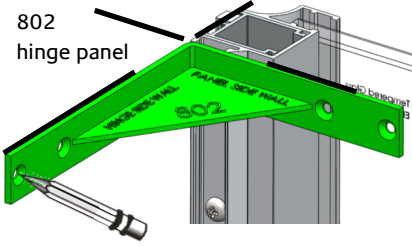
1. Adjacent to the top of the wall profile(s), measure the distance from wall to wall, or wall to inside of side panel glass : Xmm. With all brackets removed, cut the bar (only to X-12mm).



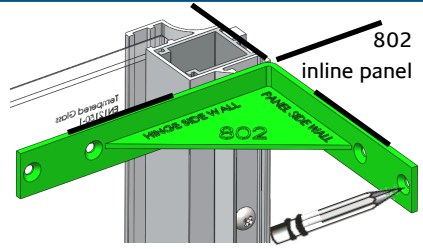
2. Using the appropriate end of the template, offer upto vertical profile,. With template level & flush to top of profile, mark the wall hole positions.



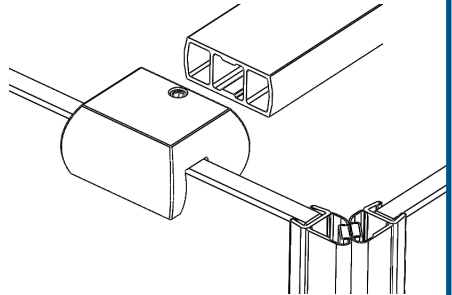
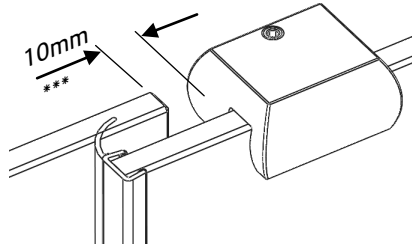
802  
hinge panel



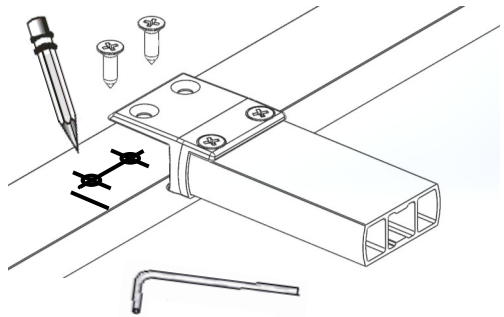
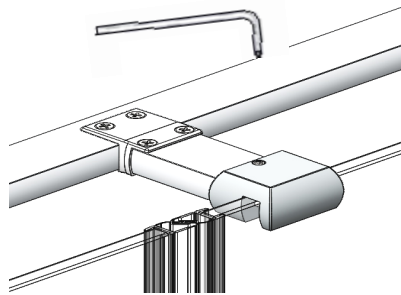
802  
inline panel



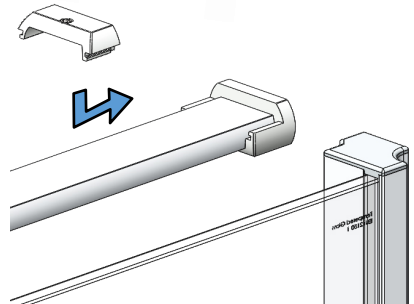
3. BEFORE DRILLING : Assemble glass brackets onto panels & tighten clamp screws. Position brackets as close to panel ends as possible. Model 803 : site the bracing bar tee clamp 10mm from door glass edge\*\*\* ! Then offer entire bracing bar into place to check that wall bracket locations are correct.



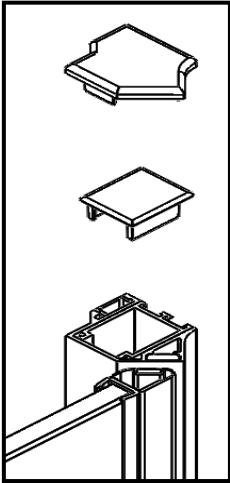
4. Drill wall holes, fit wall plugs & affix lower wall brackets & main bracing bar.
5. Offer Tee bar into glass clamp & either mark for drilling, or directly drill (dia 3mm) though TOP surface of main bar ONLY. Affix Tee bracket to main bar with 2x CSK screws.



6. Assemble wall bracket top clamps as shown & fully tighten ALL grubscrews.

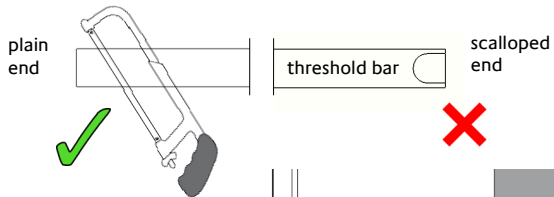


## Profile top caps, Threshold Bar & Trims:

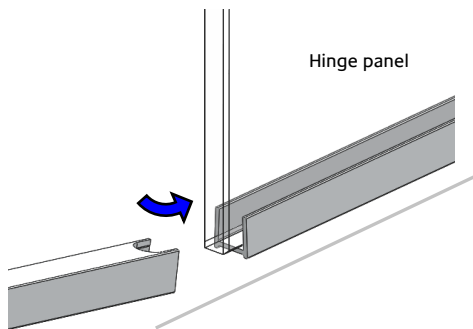
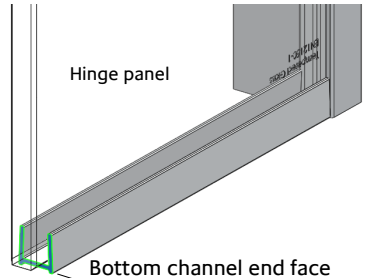


Select & fit profile top caps

Model A / D (striker bar units—wall to wall type) : Measure distance from the end of the bottom channel to the opposite wall. Neatly, square cut the threshold bar to measurement minus 1mm. NOTE, cut ONLY at the plain end of the threshold bar !

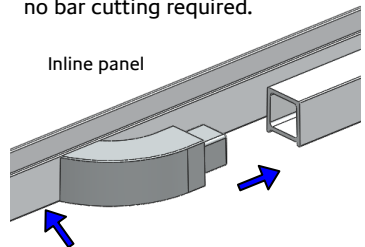


Insert scalloped end of bar under glass corner, down to tray/base & up to bottom channel.



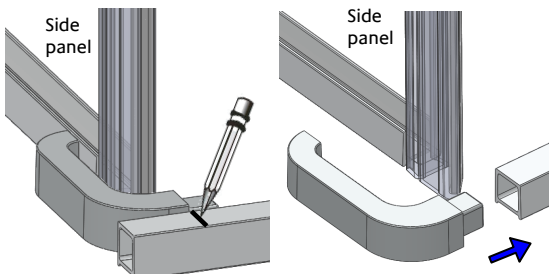
to opposite wall

Model B (inline panel units) : no bar cutting required.



Push trim into hole in threshold bar & up to face of bottom channel.

Model C / E (side panel units) :

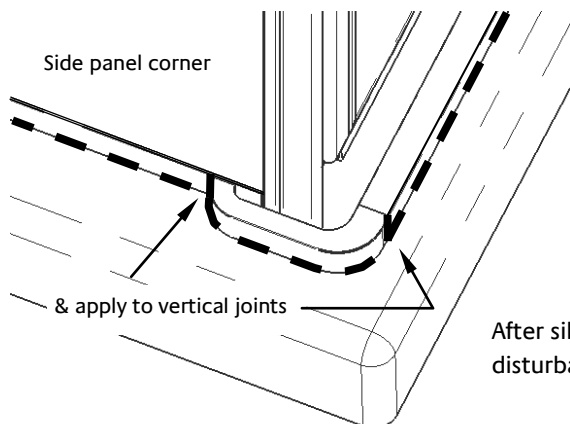
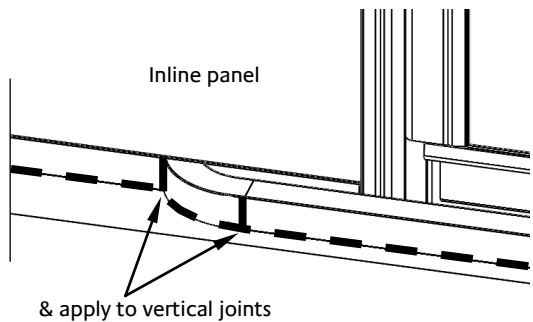
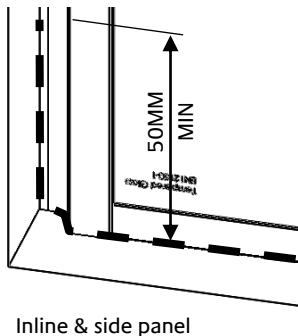
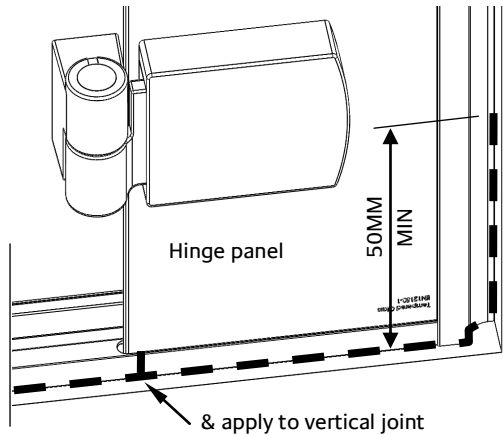
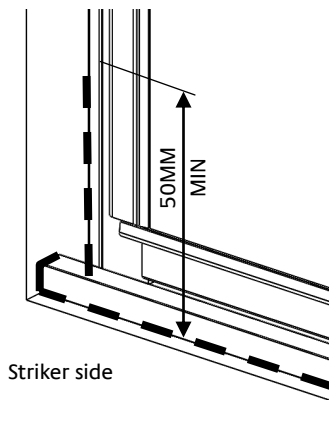


Offer corner trim up to side panel & mark required threshold bar length. Neatly, square cut bar to length

## Silicone Sealing :

It is recommended to clean all surfaces before siliconging.

With all threshold items in place, aligned as necessary, & with door closed, apply continuous bead of clear silicone sealant as shown.



To ensure parts cannot move during siliconging, instant adhesive (superglue) or tape may be used as temporary fixative.

After siliconging, allow to cure without disturbance for 24 hours !



## **BASIC TROUBLESHOOTING :**

### **Leakage :**

The sealing method described in these instructions relies on a continuous seal being applied between shower walls & tray before installing the enclosure it ensures a watertight seal around the perimeter of the enclosure to the shower walls & tray.

In the unlikely event of an enclosure leak, water will be visible on the outside of the enclosure itself, or around the perimeter silicone seal ONLY. Water / moisture appearing outside this area (ie at floor level) is normally due to incorrect tray installation.

Door bottom seal catching harshly on threshold trim, or not settling inside threshold trim on closing : check & adjust door hinges to raise door outer corner.

Magnetic seals not meeting precisely / not holding : check & adjust door hinges. If hinge adjustment insufficient, striker or inline / side panel wall profile may require re-positioning.

# **Lakes Bathroom Australia**

## **14 Scott Street Guildford**

### **Perth W.A 6055**

ph - (08) 6278 4996



**lakes**  
**bathrooms™**  
australia