



603.10.01

Venus MK2

Basin Mixer

FEATURES & BENEFITS

- Durable chrome finish
- Designed for easy installation
- Solid Brass construction for long life
- Ergonomic, easy grip solid lever handle
- Ceramic disc mixer cartridge for precise control of water flow and temperature

COLOUR

- Chrome Finish

MANUFACTURING MATERIALS

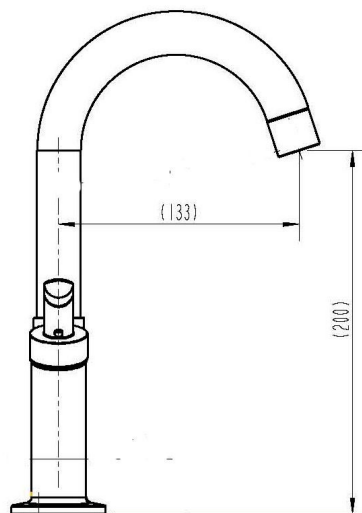
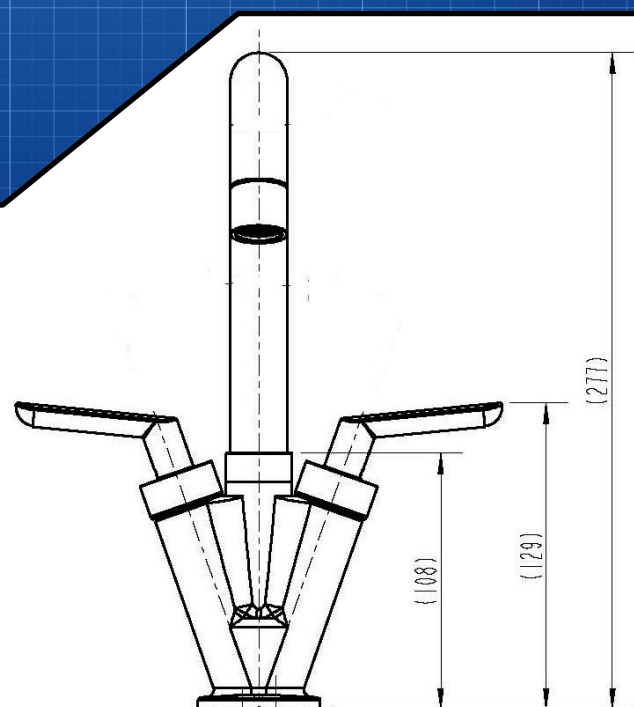
- Solid Brass Construction

GUARANTEE

- All Alpine tapware come with
- 5 years on Tap body
- 2 years on cartridge
- 1 year on chrome finish
- 3 months on O-rings and Washers

Dimensions and set-outs are correct at the time of publication, however the manufacturer/ distributor takes no responsibility for printing errors.

The manufacturer/distributor reserves the right to vary specifications or delete models from their range without prior notification.



www.alpinekb.com.au