

R5051



Round Toilet roll Holder

FEATURES & BENEFITS

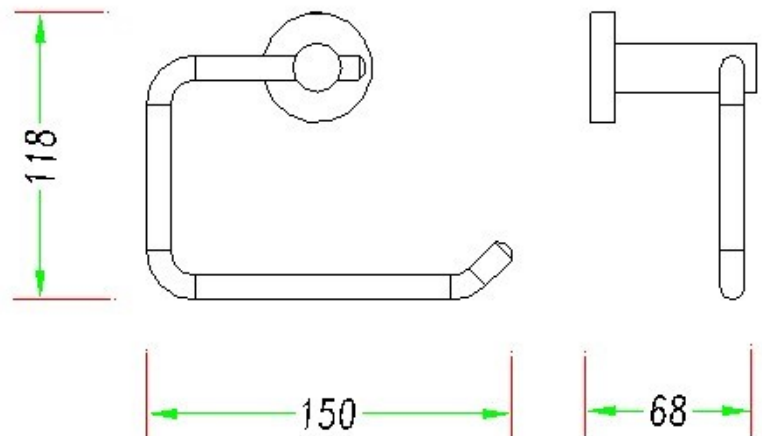
- Durable chrome finish
- Designed for easy installation
- Solid Brass construction for long life

COLOUR

- Chrome Finish

MANUFACTURING MATERIALS

- Solid Brass Construction



Dimensions and set-outs are correct at the time of publication, however the manufacturer/ distributor takes no responsibility for printing errors.

The manufacturer/distributor reserves the right to vary specifications or delete models from their range without prior notification.



www.alpinekb.com.au