



# CP-F0318-0 Project Basin Mixer



## FEATURES & BENEFITS

- Durable chrome finish
- Designed for easy installation
- Solid Brass construction for long life
- Ergonomic, easy grip solid lever handle
- Ceramic disc mixer cartridge for precise control of water flow and temperature

## COLOUR

- Chrome Finish

## MANUFACTURING MATERIALS

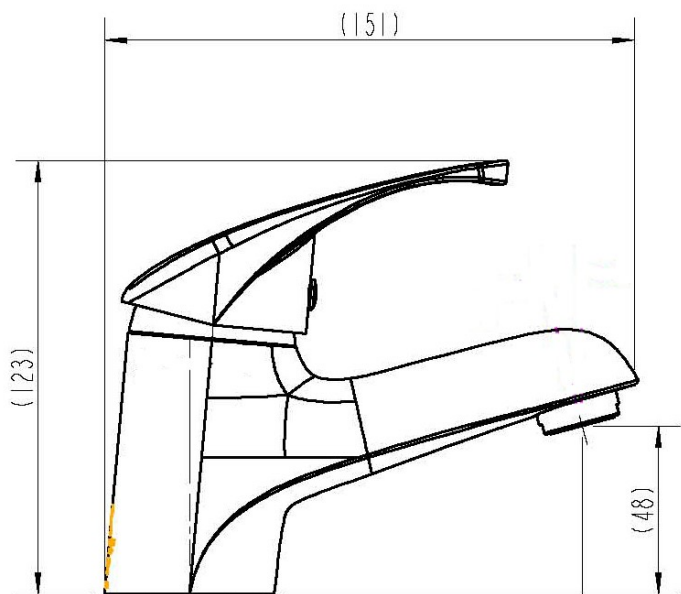
- Solid Brass Construction

## GUARANTEE

- All Alpine tapware come with
- 5 years on Tap body
- 2 years on cartridge
- 1 year on chrome finish
- 3 months on O-rings and Washers

Dimensions and set-outs are correct at the time of publication, however the manufacturer/ distributor takes no responsibility for printing errors.

The manufacturer/distributor reserves the right to vary specifications or delete models from their range without prior notification.



[www.alpinekb.com.au](http://www.alpinekb.com.au)