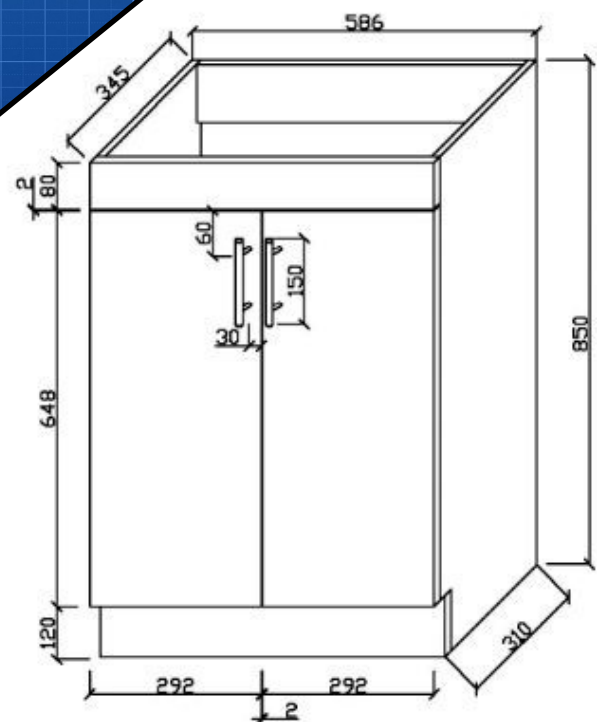




VUJE60P

Jessica

60cm



**FEATURES & BENEFITS**

- Durable white high gloss finish to all sides
- Designed for easy installation
- Fully assembled (no assembly required)
- Soft closing drawers and doors
- Stylish chrome handles

**SIZE**

- 600mm W x 350mm D x 880mm H

**COLOUR**

- Gloss White

**MANUFACTURING MATERIALS**

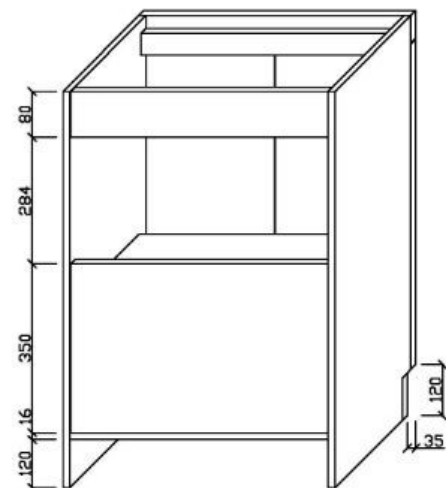
- High Grade PVC (Polyvinyl Chloride) Board
- Vitreous China top with integrated overflow.

**GUARANTEE**

- All Alpine cabinets come with a genuine 5 Year Warranty which covers materials used and workmanship at the time of manufacture.

Dimensions and set-outs are correct at the time of publication, however the manufacturer/ distributor takes no responsibility for printing errors.

The manufacturer/distributor reserves the right to vary specifications or delete models from their range without prior notification.



[www.alpinekb.com.au](http://www.alpinekb.com.au)