



# 1200 x 1500

# Texan

# BATHSCREEN

## FEATURES & BENEFITS

- Pivoting Door
- Designed for easy installation
- 6mm toughened safety glass
- Easy to clean glass

## SIZE

- Min-Max 1165-1185mm x 1500H mm

## COLOUR

- Chrome

## MANUFACTURING MATERIALS

- Toughened Glass
- Aluminum

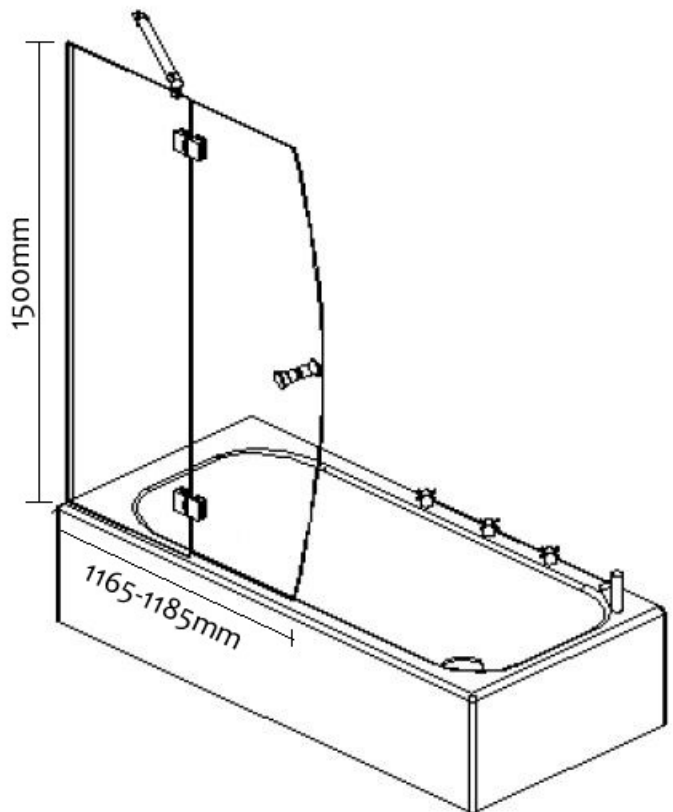
## GUARANTEE

- All Alpine cabinets come with a genuine 5 Year Warranty which covers materials used and workmanship.

Dimensions and set-outs are correct at the time of publication, however the manufacturer/distributor takes no responsibility for printing errors.

The manufacturer/distributor reserves the right to vary specifications or delete models from their range without prior notification.

\*Nominal Sizes Listed. Check actual size before installation. Returns will not be accepted for incorrect size.



[www.alpinekb.com.au](http://www.alpinekb.com.au)