



900 x 1500

Kensington BATHSCREEN

FEATURES & BENEFITS

- Pivoting Door
- Designed for easy installation
- 6mm toughened safety glass
- Easy to clean glass

SIZE

- Min-Max 855-880mm x 1500H mm

COLOUR

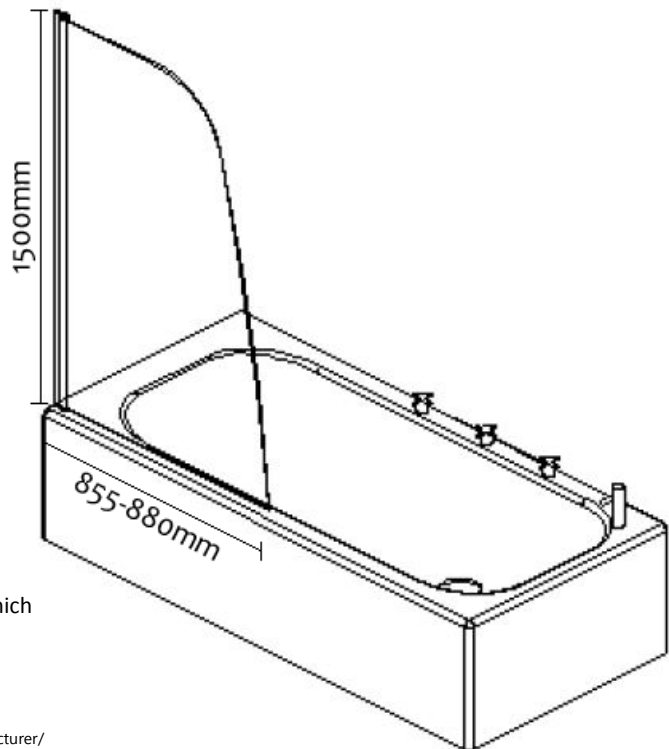
- Chrome

MANUFACTURING MATERIALS

- Toughened Glass
- Aluminum

GUARANTEE

- All Alpine cabinets come with a genuine 5 Year Warranty which covers materials used and workmanship.



Dimensions and set-outs are correct at the time of publication, however the manufacturer/distributor takes no responsibility for printing errors.

The manufacturer/distributor reserves the right to vary specifications or delete models from their range without prior notification.

*Nominal Sizes Listed. Check actual size before installation. Returns will not be accepted for incorrect size.



www.alpinekb.com.au