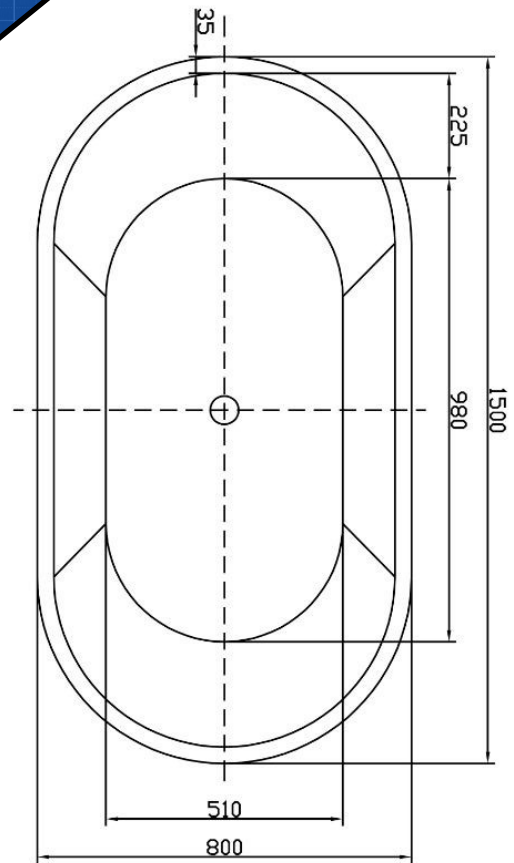




# GB150WHO

# Galaxy

## Oval 150cm



### FEATURES & BENEFITS

- Modern styling
- Integrated overflow
- Designed for easy installation
- One piece construction
- Defined Lines
- Pop-Up waste included

### SIZE

- 1500mm L x 800mm W x 600mm H

### COLOUR

- White

### MANUFACTURING MATERIALS

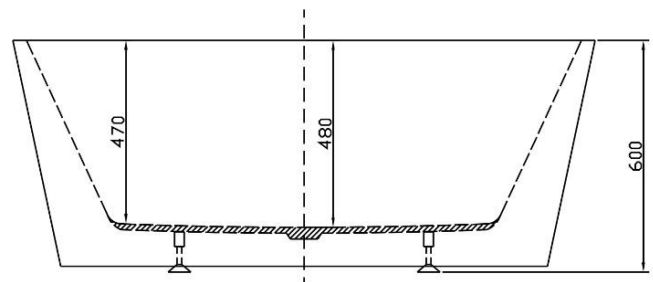
- Sanitary grade acrylic & fibreglass
- Stainless steel

### GUARANTEE

- All Alpine cabinets come with a genuine 5 Year Warranty which covers materials used and workmanship at the time of manufacture.

Dimensions and set-outs are correct at the time of publication, however the manufacturer/ distributor takes no responsibility for printing errors.

The manufacturer/distributor reserves the right to vary specifications or delete models from their range without prior notification.



[www.alpinekb.com.au](http://www.alpinekb.com.au)