



# DOOR-AS120FSC

# ASPEN

# RETURN-AS120RSC

## FEATURES & BENEFITS

- Sliding Door
- Designed for easy installation
- Semi-frameless 8mm toughened safety glass
- Easy to clean glass
- Stylish chrome handles
- Reversible Door

## SIZE

- Door - Min-Max 1165-1185mm x 2000H mm
- Return - Min-Max 845-870mm x 2000H mm

## COLOUR

- Chrome

## MANUFACTURING MATERIALS

- Toughened Glass
- Aluminum

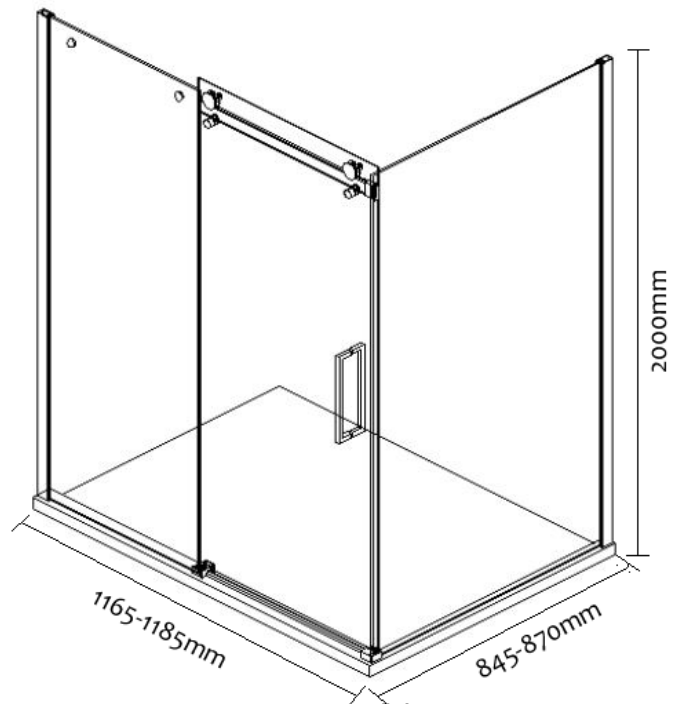
## GUARANTEE

- All Alpine cabinets come with a genuine 5 Year Warranty which covers materials used and workmanship.

Dimensions and set-outs are correct at the time of publication, however the manufacturer/distributor takes no responsibility for printing errors.

The manufacturer/distributor reserves the right to vary specifications or delete models from their range without prior notification.

\*Nominal Sizes Listed. Check actual size before installation. Returns will not be accepted for incorrect size.



[www.alpinekb.com.au](http://www.alpinekb.com.au)